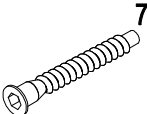

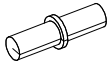


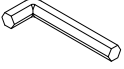
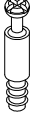

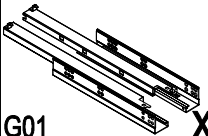
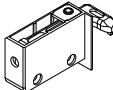
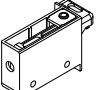
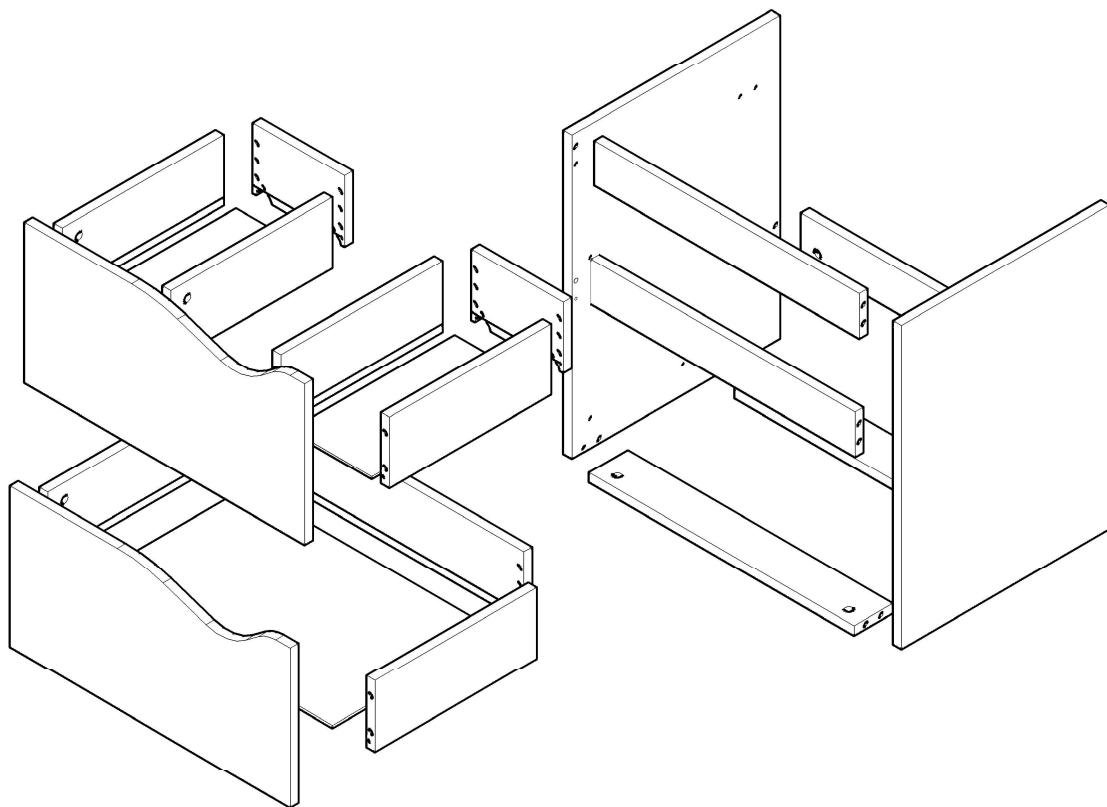
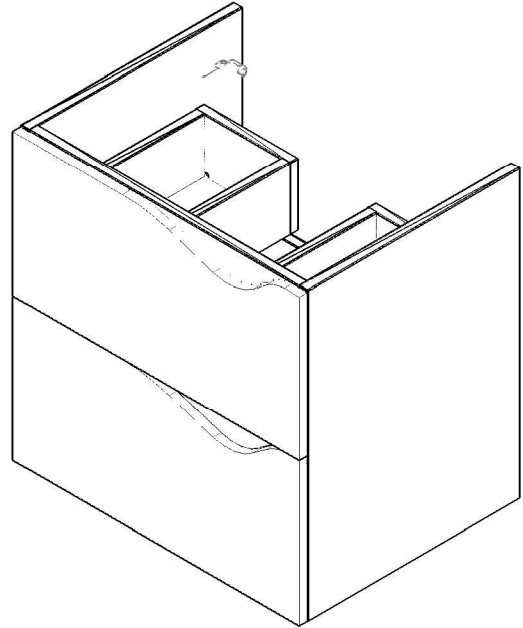


NR.32

 7x50 S01 x6	 3.5x16 S02 x8	 S21 x2	 C01 x22	 3.5x30 S03 x4	 D01 x1
 C10 x22	 C11 x22	 G01 x2	 A01 x1	 A02 x1	



1.

5x C10
1x A02
2x G01-b
2x S03
4x S02

2.

5x C10
1x A01
2x G01-a
2x S03
4x S02

A

S03
A02

B

C10

37 192
S02 G01-a S02

3.

10x C01

4.

10x C11

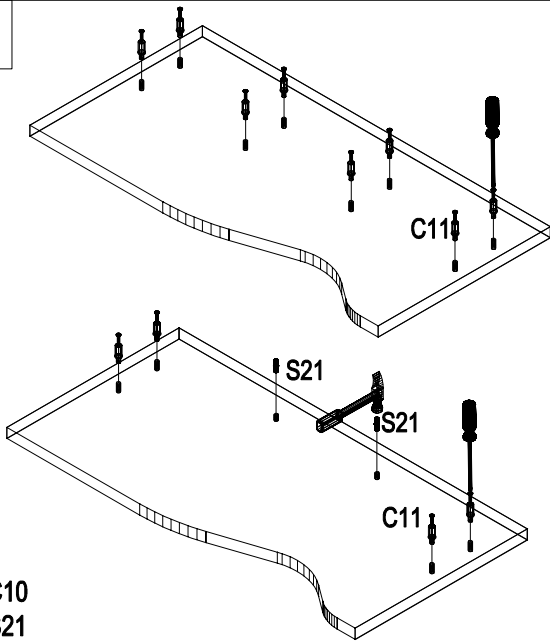
C

C01

D

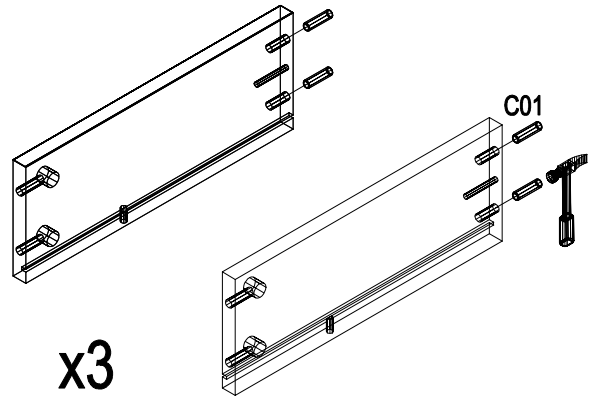
C11

5.



8x C10
2x S21

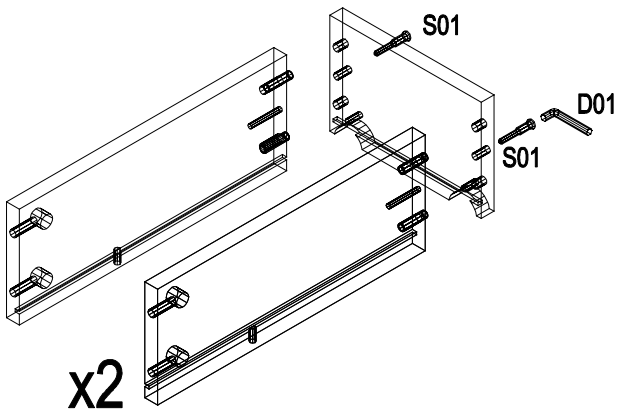
6.



x3

2x C01

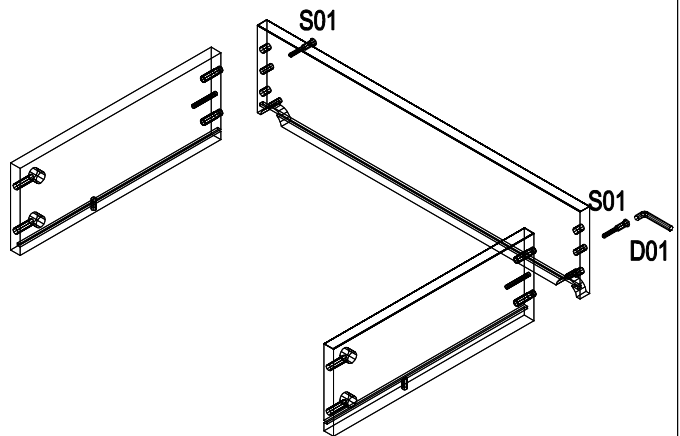
7.



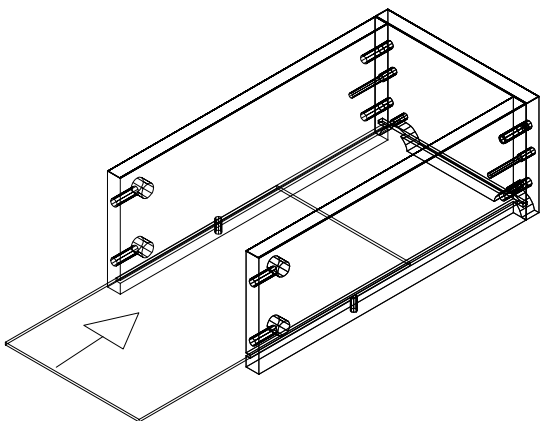
x2

1x D01
2x S01

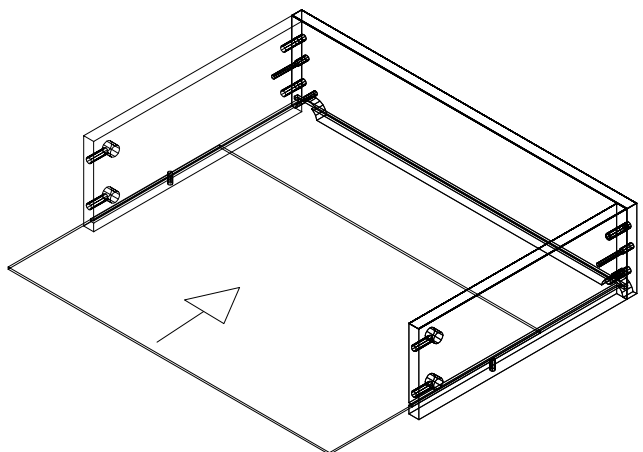
8.



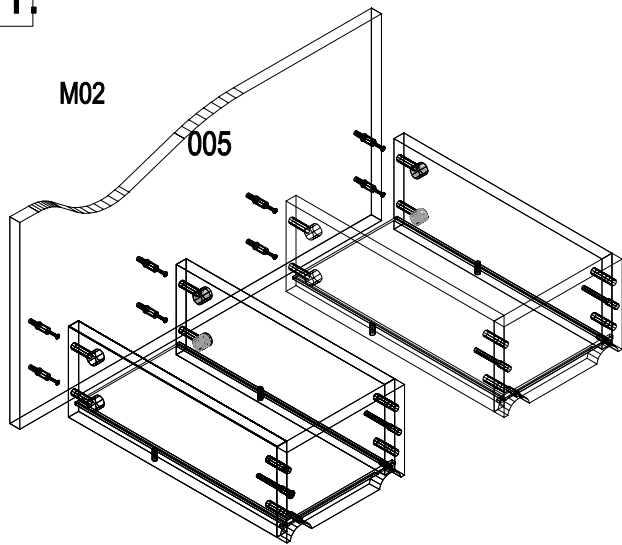
9.



10.

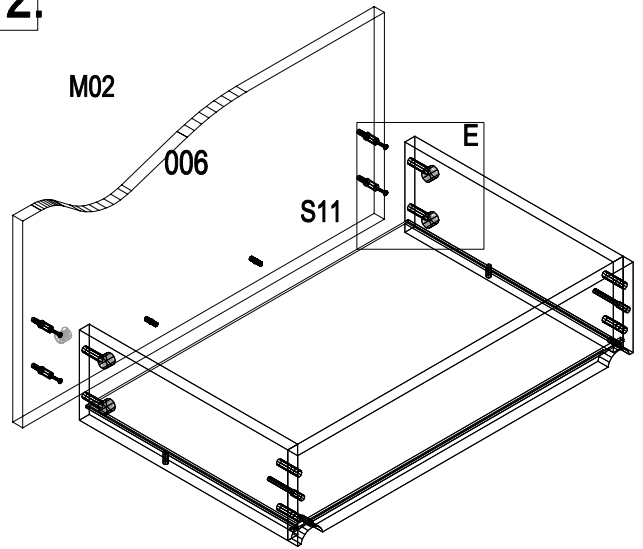


11.



8x C11

12.



4x C11

13.

